

# Overview Of Off Grid Power Systems At The VK6JI QTH



Max 150v Input  
Max 80A Output

Bi- Directional  
Automatic  
Charge Relay

1,000 Farad  
Super Capacitor

4 x Bosch DC31-S4  
MF Calcium-Calcium  
Starting/Deep Cycle

15/30 Amp  
12v



Voltage Sensing



RCD



House



### Voltage Sensor Settings

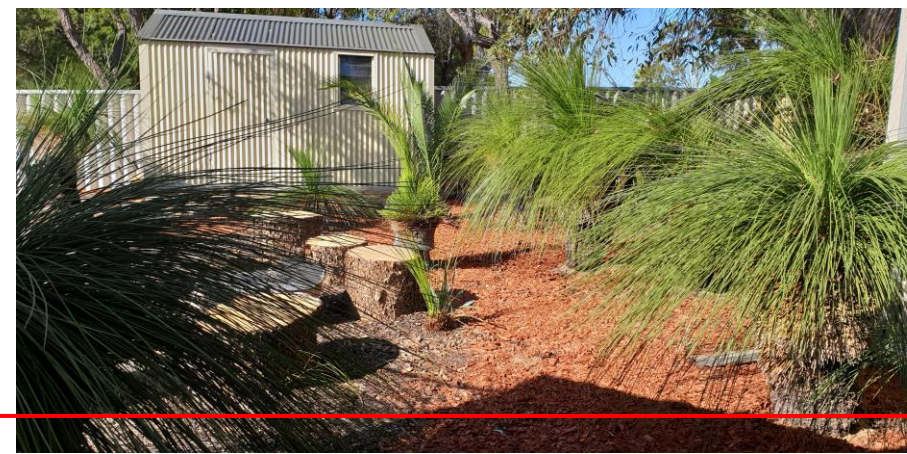
Turn On Voltage – 13.8v  
Cut Out Voltage – 11.9v

### Timer Schedule House

Turn On – 08:00  
Turn Off – 17:00

### Timer Schedule Shed

Turn On – 09:30  
Turn Off – 15:30



Max 100v Input  
Max 50A Output



1,000 Farad  
Super Capacitor

1 x Bosch DC31-S4  
MF Calcium-Calcium  
Starting/Deep Cycle  
+  
2 x AGM

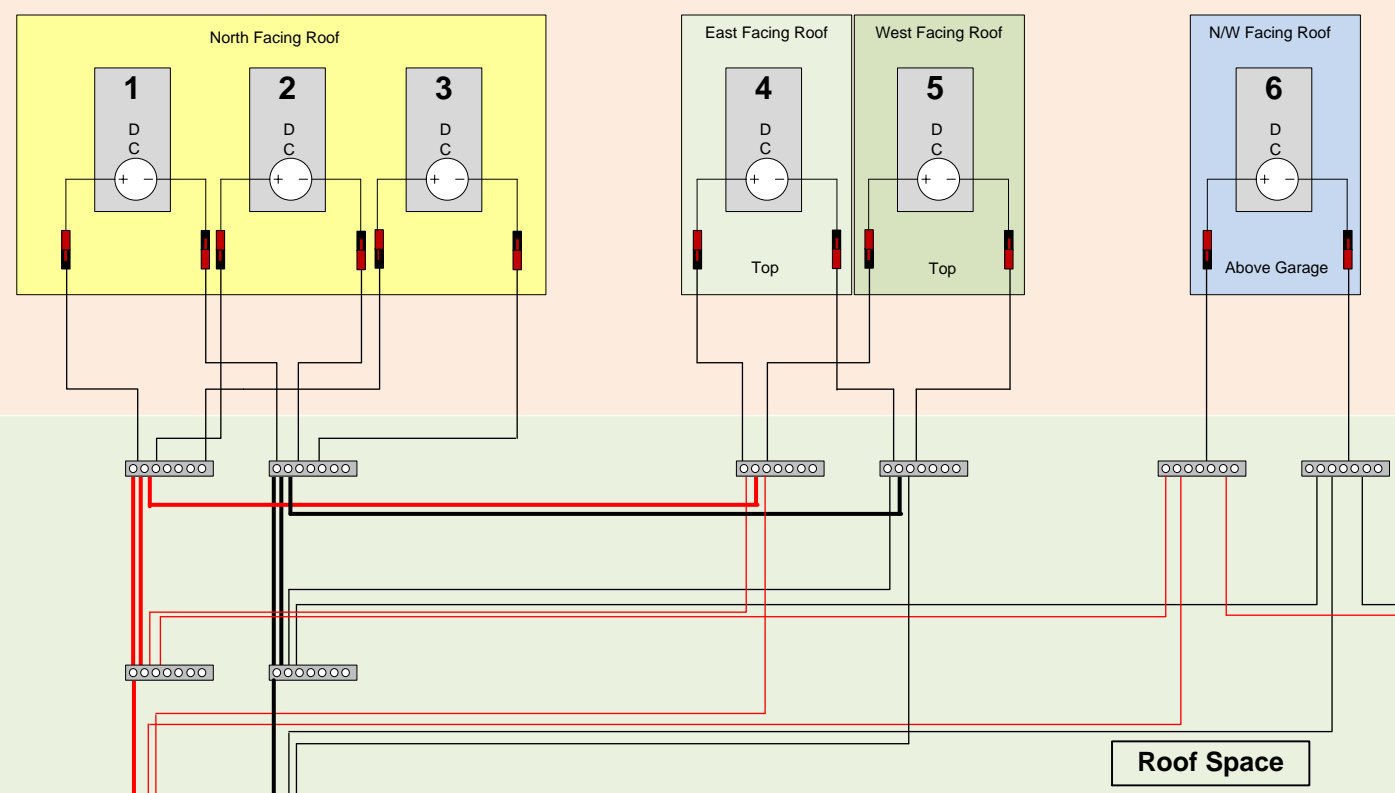
Voltage Sensing



RCD



Shed



InstaPower	
Model Type	2000A-72
Maximum Power (Pmax)	200W
Tolerance	-3%
Voltage at Pmax (Vmp)	18.6V
Current at Pmax (Imp)	10.753A
Open-Circuit Voltage (Voc)	22.3V
Short-Circuit Current (Isc)	12.5A
Weight	33.5kg
Maximum Series Fuse Rating	15A
Module Application	Class A
Fire Rating	Class C
Maximum System Voltage	1000V
Operating Temperature	-40°C to 65°C
Module size	1580 x 858 x 35(mm)
All technical data is standard Test Condition AM1.5 G=1000W/m <sup>2</sup> Tc=25°C	

Panels 3, 4 & 5

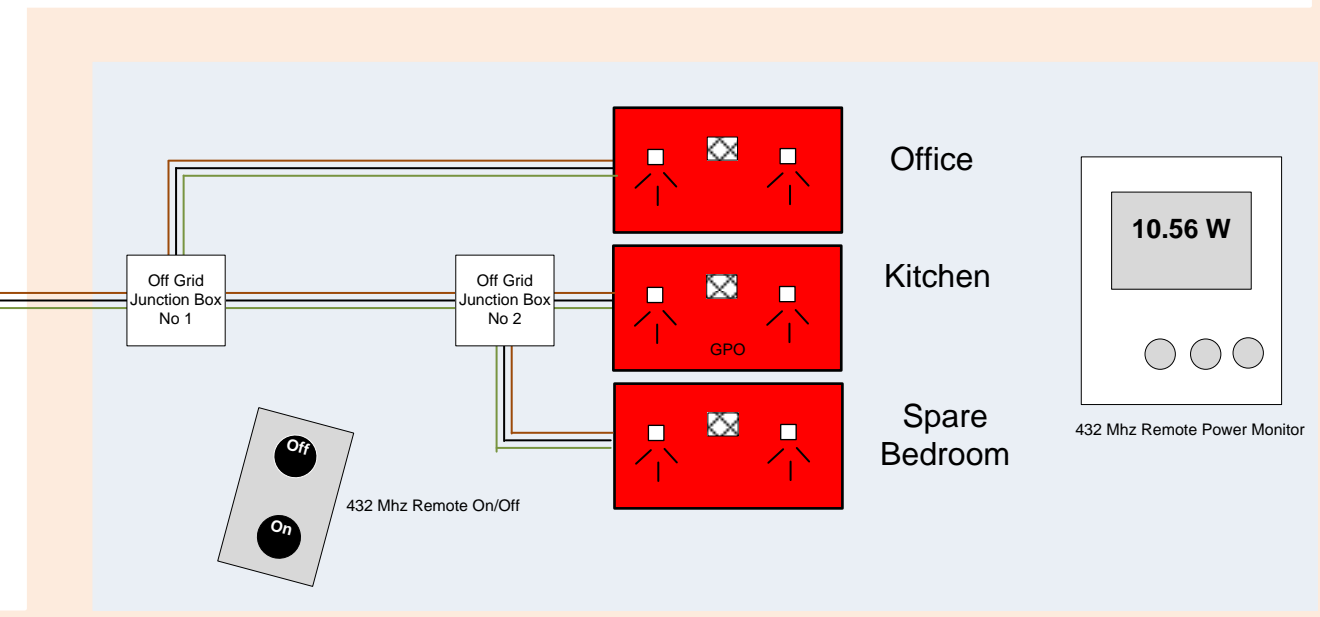
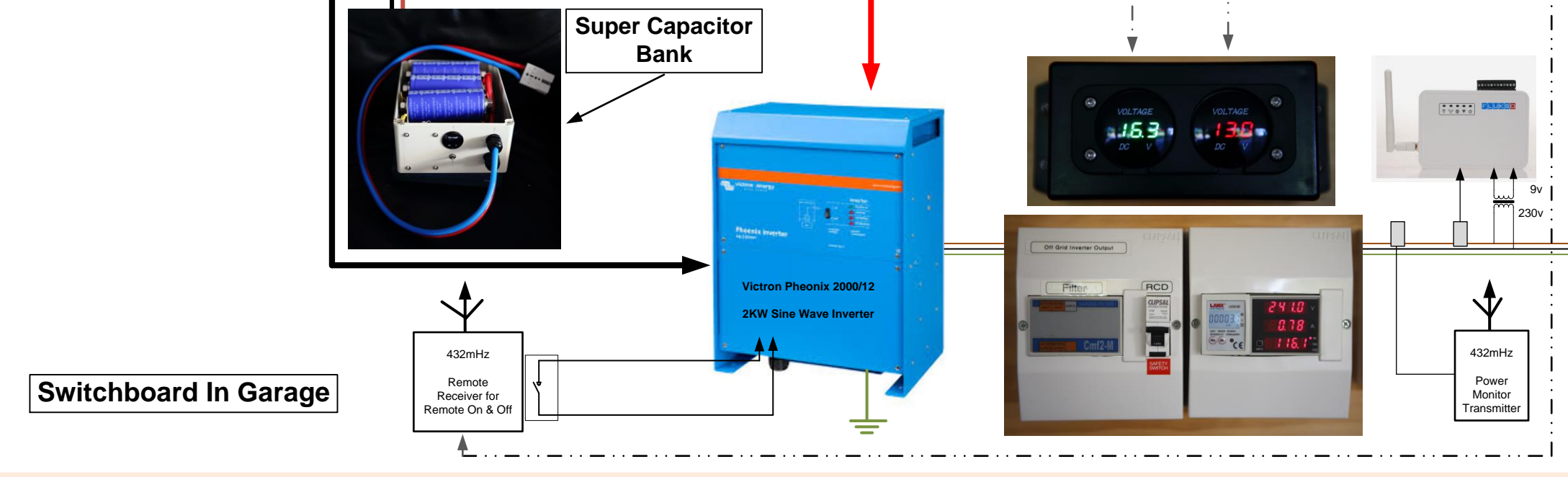
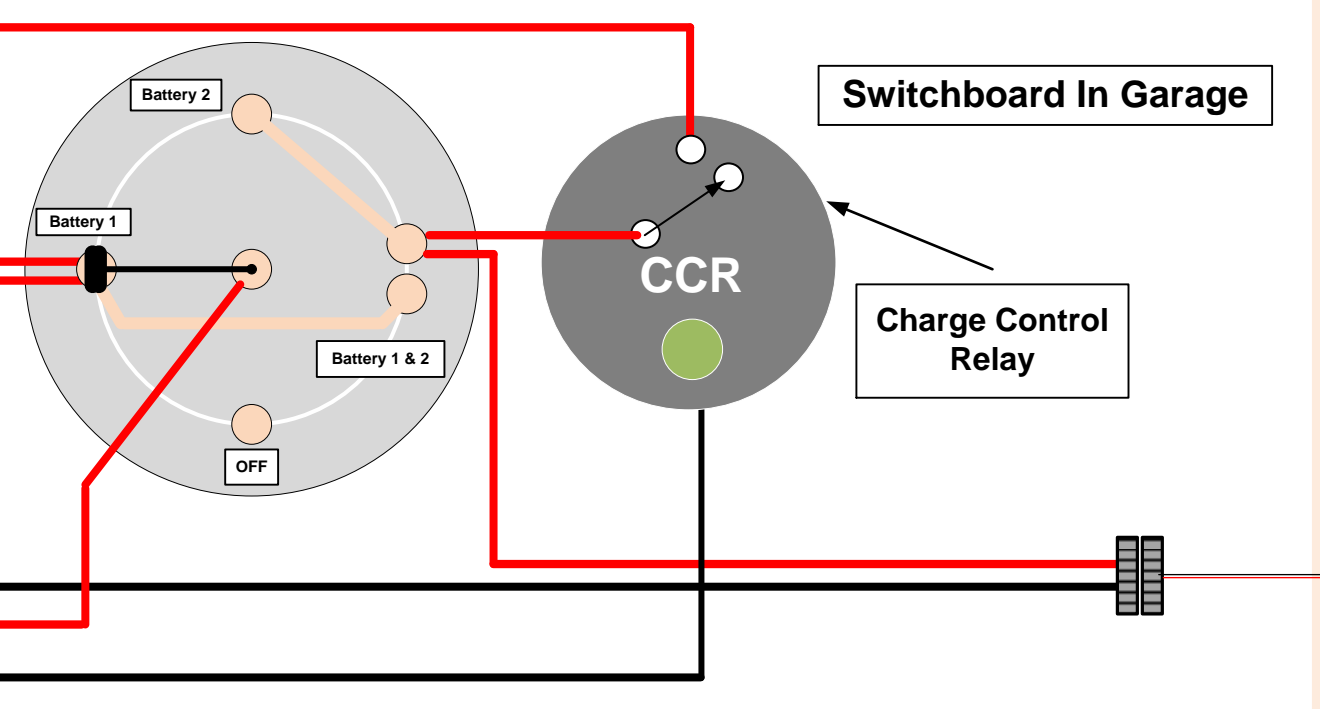
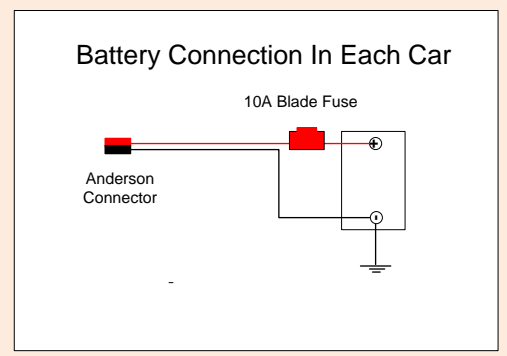
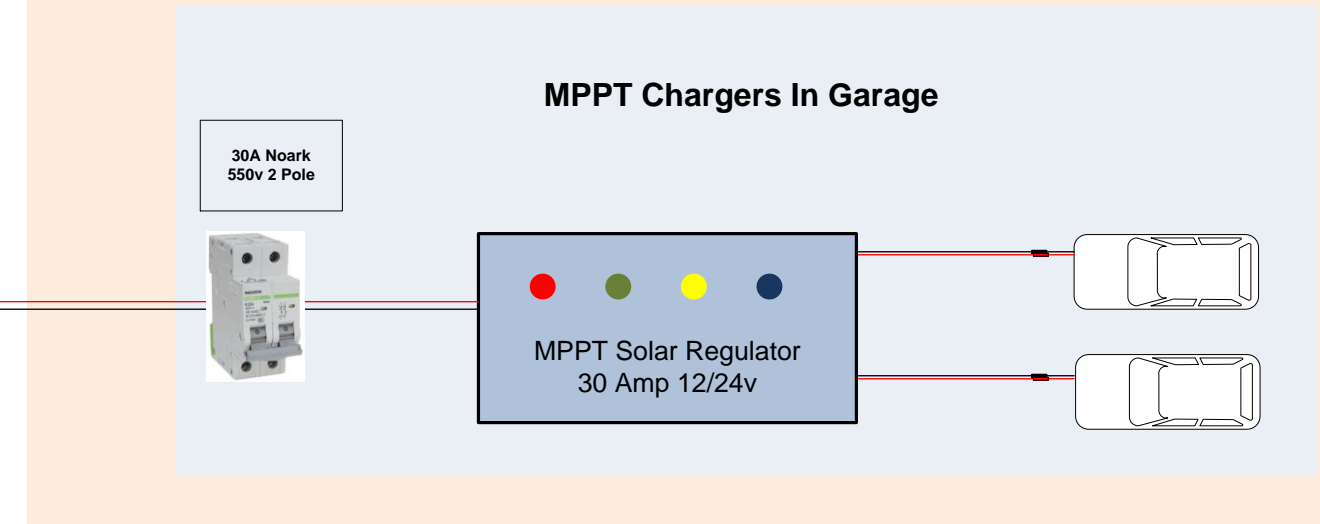
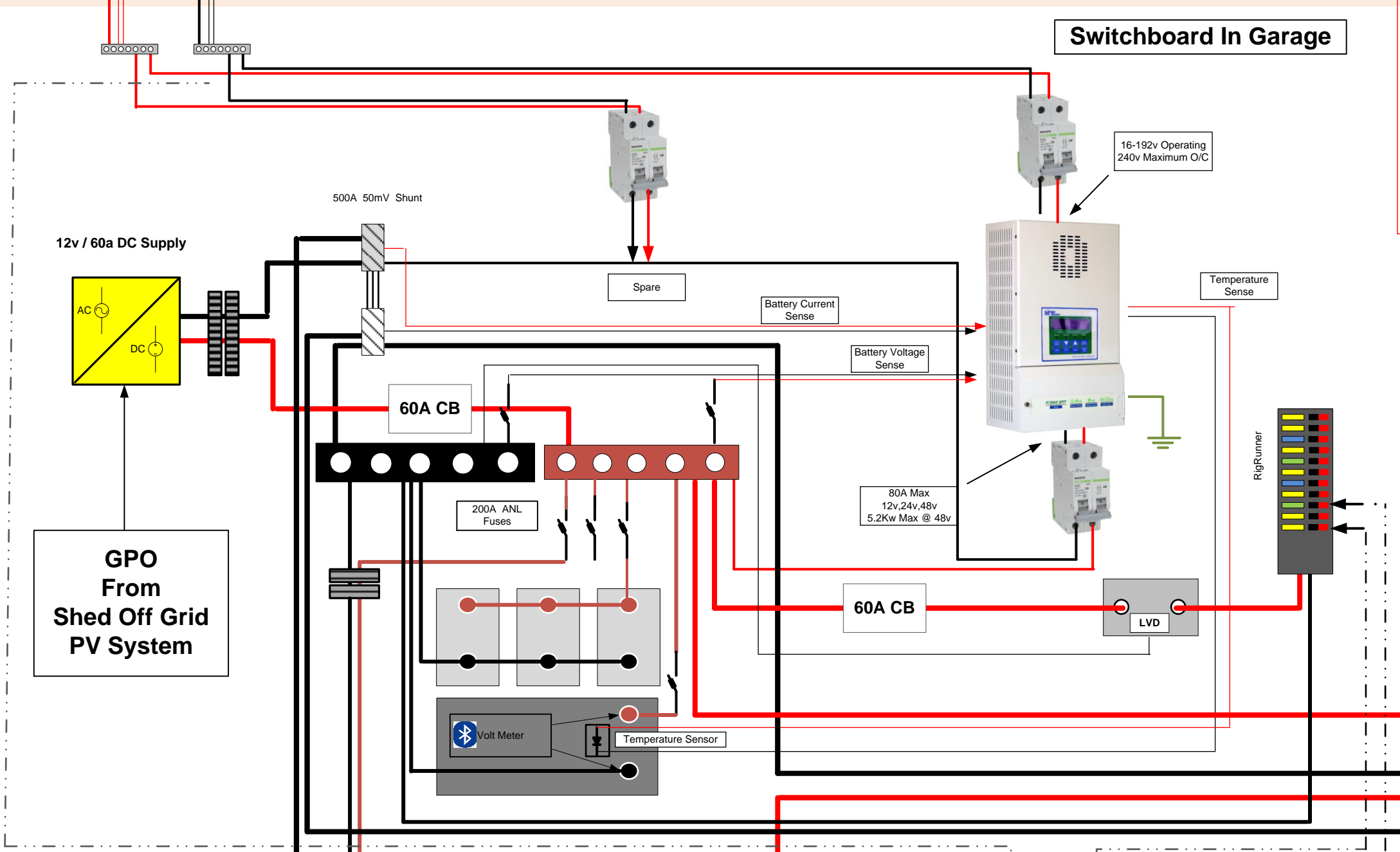
SUQIANG ENERGY www.szuoyang.com	
MODEL TYPE	SY-200M
Maximum Power Current (Imp)	11.1A
Maximum Power Voltage (Vmp)	18.6V
Short-Circuit Current (Isc)	11.5A
Open-Circuit Voltage (Voc)	22.6V
Maximum System Voltage	1000V
Wind Resistance	2400N
All technical data is standard test condition AM1.5 G=1000W/m <sup>2</sup> Tc=25°C	
WARNING: Refer to Installation and Operation Manual before installing, operating or servicing this unit. DO NOT connect/disconnect plug contacts while in use or under load current. Failure to comply can result in a hazardous situation. Charge!	
Module Certificate	

Pannel 2



12v Off Grid Panels

Grid & Off Grid Panels



VK6JI  
12 Volt PV System In Shack  
Drawn 03/03/2019